

iGLO LED UFO High Bay - 150W (With Sensor)

ENVIRONMENTALLY FRIENDLY, ENERGY EFFICIENT

iGLOLED
IGLOLED.NET



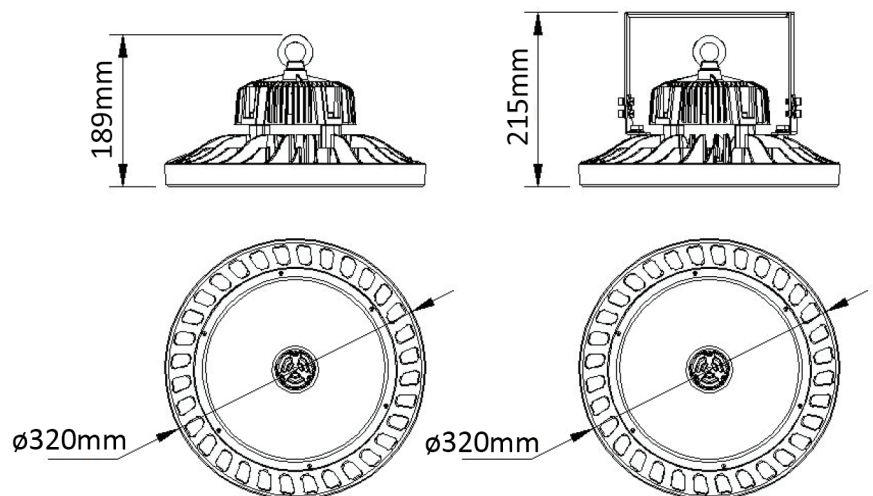
Features

- cULus, DLC premium certificates.
- IP65 driver, High CRI.
- Input voltage 100-277VAC.
- Dimmable.
- No UV or IR in the beam.
- Easy to install and operate.
- Energy saving, long lifespan.
- Instant start, NO flickering, NO humming.
- Green and eco-friendly without mercury.
- Output constant current lever can be adjusted. through output cable with 1-10V.



Applications

Warehouses, Factories and workshops; Highway toll stations and gas stations; Exhibition halls; Gymnasium and supermarkets, Parking lots and Tunnels.



iGLO LED UFO High Bay - 150W (With Sensor)

ENVIRONMENTALLY FRIENDLY, ENERGY EFFICIENT

PRODUCT SPECIFICATIONS

DLC Listing:
GL150WUFOG3HBCGSN4000KUDX-HV [all colors][M;Blank][S;Blank][Ceiling
mounting;Rings mounting]

iGLO LED High Bay Series:	GL150WUFOG3HBCGSN4000KUDX GL150WUFOG3HBCGSN4500KUDX GL150WUFOG3HBCGSN5000KUDX GL150WUFOG3HBCGSN5700KUDX
All Models are Special Order	
Wattage:	150W
Lumens:	20171 - 20427 lm
CCT:	4000K/4500K/5000K/5700K
Input Voltage:	100-277VAC, 50/60Hz
Power Factor:	≥0.90
Efficacy:	134-137 lm/W
CRI:	>80
THD:	≤20%
Dimmable:	Yes, 1-10V
Dimensions:	12.60*7.44 in 12.60*8.46 in
Beam Angle:	110°
Operating Temperature:	-20°C to 50°C
Housing	Aluminum Alloy
Housing Color:	Black
Cover/Lens Type:	Flat clear glass
Optional Accessories:	Motion Sensor
Waterproof Rating:	WET (IP65)
Certificates:	cULus, DLC premium
Warranty:	5 Years

Box Size	Qty/Carton	Net Weight	Gross Weight
15.04x15.04x7.72 in	1 pc	4.1 kg	5.1 kg

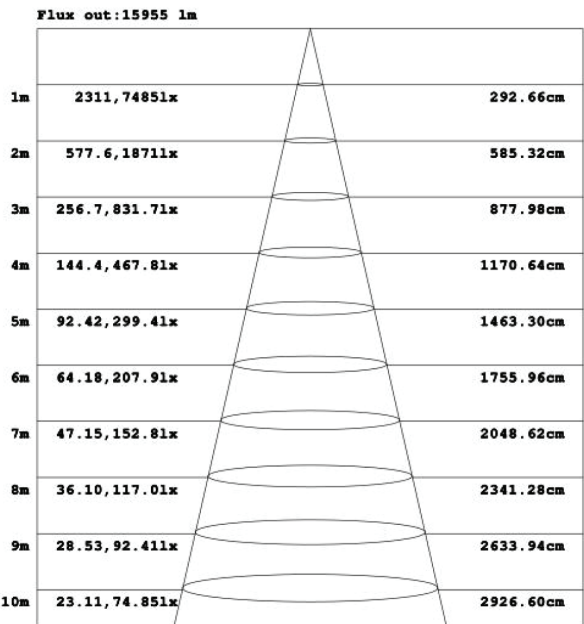
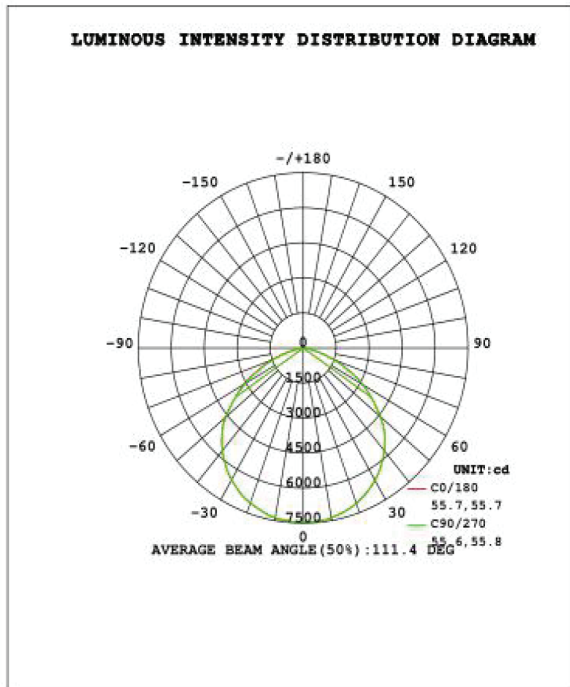
iGLO LED UFO High Bay - 150W (With Sensor)

ENVIRONMENTALLY FRIENDLY, ENERGY EFFICIENT

iGLOLED

IGLOLED.NET

PHOTOMETRIC DATA



Height Eavg, Emax Angle: 111.30deg Diameter

Note: The Curves indicate the illuminated area and the average illumination when the luminaire is at different distance.