



Features

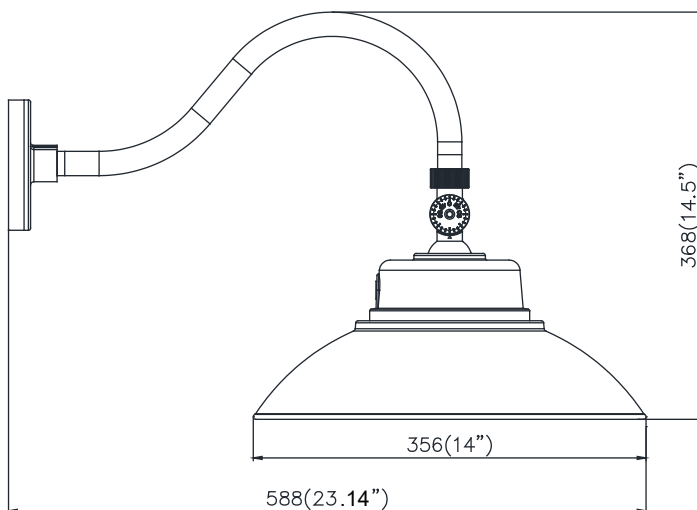
- Lumileds Chip, high CRI
- IP65 driver, input voltage 120-277VAC
- Die casting aluminum gasketed enclosure, lasting appearance and excellent heat dissipation
- Swivel Knuckle can make adjustable angle to 210°
- Finish Color: White/Black/Bronze
- Can be wall mounted with integral bracket
- Suitable for Wet locations
- Output constant current lever can be adjusted through output cable with 0- 10V
- With light-controlled inductor



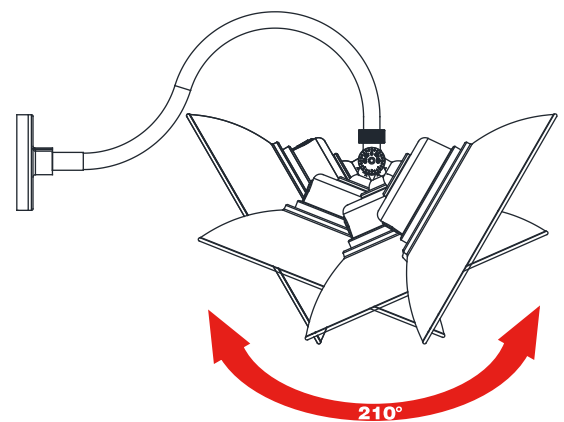
Application

- Lighting in backyards
- Building walls
- Restaurants and security areas

DIMENSIONS



Product Features



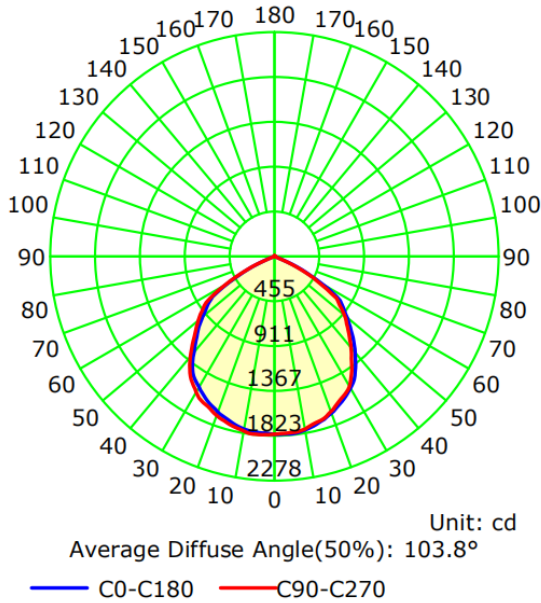
Swivel Knuckle to make adjustable angle to 210°

PRODUCT SPECIFICATIONS

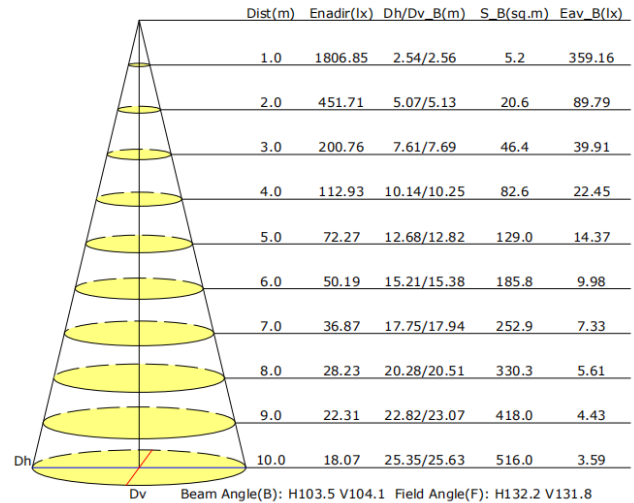
iGLO LED Gooseneck 35W	GL35WGOOSEBLBR3000K GL35WGOOSEBLBR3500K GL35WGOOSEBLBR4000K GL35WGOOSEBLBR4500K GL35WGOOSEBLBR5000K GL35WGOOSEBLBR5700K
Input Power	35 W
Lumen	4200 - 4550 LM
Lumen Efficacy	120-130 LM/W
Color Temperature	3000K,3500K,4000K,4500K,5000K,5700K
CRI	>80
Viewing Angle	101*101Degree
Input Voltage	120-277VAC 50/60Hz
PF	≥0.9
THD	≤20%
Driver Model	China Brand Driver
Optional Accessory	Photocell / Mounting bracket
LED Brand	Lumileds
LED Type	2835
LED QTY	112 PCS
Housing	Aluminum Alloy
Housing Color	Black / Brown/white/Customized
Waterproof Rating	WET (IP65)
Operating Temperature	-30℃ TO 50℃
Operating Humidity	10%-90% RH
Storage Temperature	-40℃ TO 80℃
Storage Humidity	10%-95% RH
Warranty Time	5 Years

PHOTOMETRIC DATA

Luminous Intensity Distribution Curve



Illuminance at a Distance



LIGHT DISTRIBUTION TESTING PARAMETERS

Luminaire Property

Luminaire Manufacturer:

Voltage: 120.0 V

Power: 33.85 W

Current: 0.284 A

Power Factor: 0.992

Photometric Results

IES Classification: Type II

Total Rated Lamp Lumens: 4152.9 lm

Efficiency: 100%

Upward Ratio: 0%

Central Intensity: 1806.85 cd

Pos of Max. Intensity: H247.5 V4

Longitudinal Classification: Very Short

Measurement Flux: 4152.9 lm

Downward Ratio: 100%

Luminaire Efficacy Rating (LER): 122.74

Max. Intensity: 1823.07 cd

NOTICE FOR USER

- Please turn off the power before installing or changing assembly parts.
- The input voltage and lamps should be matched after connecting the power line.
- Please make sure the wiring section is insulated.
- Non-professionals must not install and disassemble the lamps.

TROUBLE SHOOTINGS

Troubles	Check points
Flickering of the light	Turn off the power and turn on again in 3 minutes. If same phenomena occur, then call agencies.
Out of working	Please check the connection.