

iGLO LED Titan Shoebox Series G14 – 100W

ENVIRONMENTALLY FRIENDLY, ENERGY EFFICIENT

iGLOLED

WWW.IGLOLED.COM

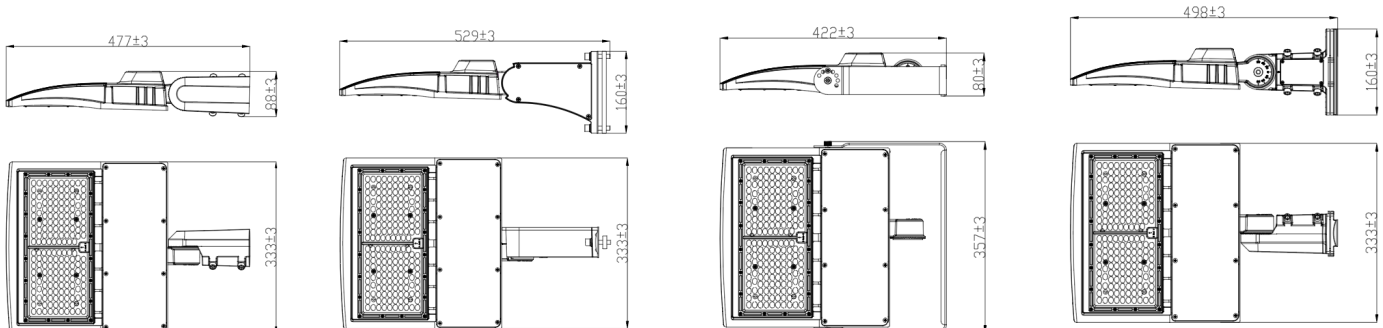


Features

- UL cUL DLC-V5.1(Premium) certificate
- Lumileds Chip, high CRI
- Input voltage 120-277VAC
- Output constant current lever can be adjusted through output cable with 1-10V
- No UV or IR in the beam
- Easy to install and operate
- Energy saving, long lifespan
- Light is soft and uniform, safe to eyes
- Instant start, NO flickering, NO humming
- Green and eco-friendly without mercury

Application

- Outdoor basketball court, tennis court
- Badminton court, the football field
- The school playground, stadium
- Community leisure entertainment plaza, road lamp etc

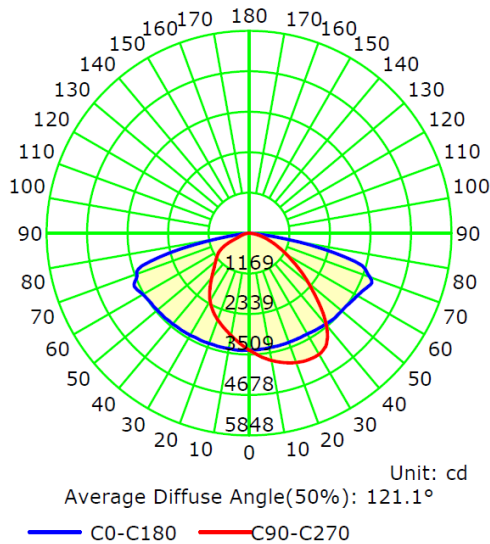


PRODUCT SPECIFICATIONS

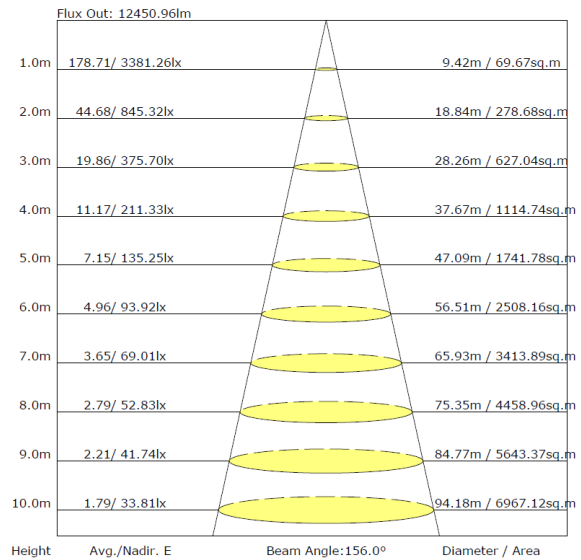
IGLO LED Titan Shoebox Series G14 – 100W						
DLC Listing: AST-S-G14B-100WBT3A1-abcdeg						
Input Power (Tolerance : ±10%)	100W					
Color Temperature	3000K	3500K	4000K	4500K	5000K	5700K
Lumen (Tolerance : ±10%)	12800 LM	12900 LM	13000 LM	13100 LM	13200 LM	14000 LM
Efficacy (Tolerance : ±3%)	128 LM/W	129 LM/W	130 LM/W	131 LM/W	132 LM/W	140 LM/W
CRI	>80					
Color Consistency	<6 Steps (or <6 SDCM)					
BUG	B3-U0-G3					
Distribution Pattern	Type III					
Beam Angle (50%) (Tolerance : ±15%)	150*95 Degree					
Input Voltage and Frequency	120-277VAC, 50/60Hz					
PF (Tolerance : -3%)	≥0.9					
THD (Tolerance : +5%)	≤20%					
Flicker Percent	<70%					
Driver Brand	Weledpower					
Driver Model	WP-CNB-100U-1A0SCPF1-ZA					
Driver Surge protection	L/N-PE: 4kV, L-N: 4kV					
Dimming	1-10V dimming standard					
Sensor Type	Occupancy Sensor, Exterior Photocell, Integral Sensor Receptacle					
Optional Accessory	Photocontrol, Surge-protective Device, DC Motion Microwave sensor, DC Motion PIR sensor, photocell receptacle, shorting cap					
LED Brand	Lumileds					
LED Type	SMD2835					
LED QTY	132 PCS					
Housing	Die-cast aluminum					
Housing Color	Brown, Black, or Customized					
EPA	1.3 ft ²					
Waterproof Rating	WET (IP65)					
Operating Temperature	Without Motion Sensor: -40°C TO 45°C; With DC Motion Sensor: -30°C TO 45°C					
Storage Temperature	-40°C TO 85°C					
Operating Humidity	10% - 90% RH					
Storage Humidity	5% - 95% RH					
Warranty	5 years					

PHOTOMETRIC DATA

Luminous Intensity Distribution Curve



The Average Illuminance Effective Figure



LIGHT DISTRIBUTION TESTING PARAMETERS

Luminaire Property

Luminaire Manufacturer:
Luminaire Category:
Lamp Catalog:
Number of Lamps:
Luminous Length (mm):
Luminous Height (mm):
Current: 0.820 A
Power Factor: 0.993

Luminaire Description:
Lamp Description:
Lumens per Lamp:
Luminous Width (mm):
Voltage: 120.0 V
Power: 97.67 W

Photometric Results

IES Classification: Type III
Total Rated Lamp Lumens: 12809.4 lm
Efficiency: 100%
Upward Ratio: 0%
C0r0 Intensity: 3381.26 cd
Pos of Max. Intensity: H22.5 V69
Beam Angle(C0/C180,C90/C270,C45/C225,C135/315): 156.0, 86.2, 110.3, 109.4

Longitudinal Classification: Medium
Measurement Flux: 12809.4 lm
Downward Ratio: 100%
Luminaire Efficacy Rating (LER): 131.20
Max. Intensity: 4678.84 cd

NOTICE FOR USER

- Please turn off power before install or change assembly parts.
- The input voltage and lamps should be matched, after connecting the power line, Please make sure the wiring section is insulated.
- Non professionals, must not install and disassemble the lamps.