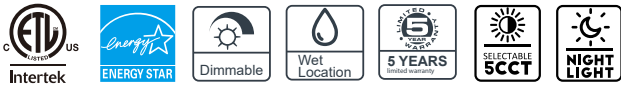


# iGLO LED NIGHT LIGHT SERIES

5CCT Ultra Slim Panel with Night Light - 9W + 3W



## DESCRIPTION

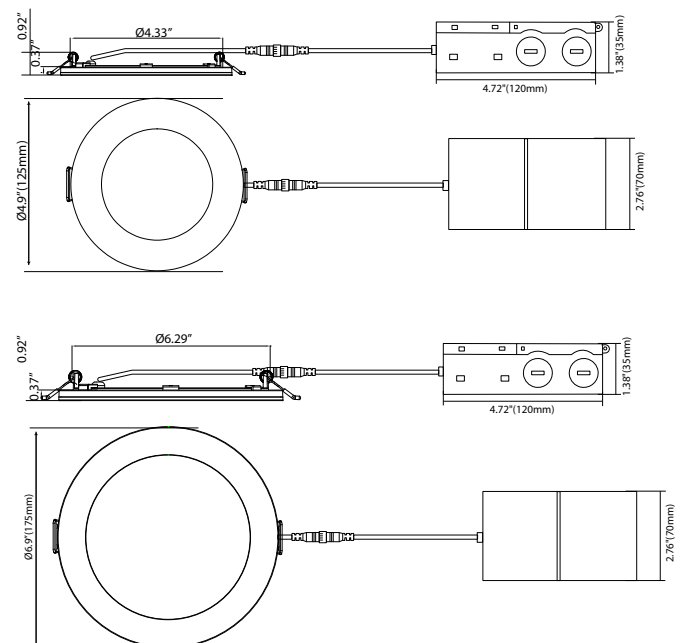
- LED 5CCT ultra slim panel with night light is a fixture with ultra slim design, 0.37" thickness lamp body.
- Except allowing you to customize the color temperature from 5CCT, from warm white to daylight, it also provide a night Light function .
- Ideal for bedrooms, kitchens, hallways etc.

## Features

- Without recessed cans or a separate j-box
- CRI90 for true color rendering
- No flicker

## Application

- Bedrooms
- Kitchens
- Hallways Etc.



## PRODUCT SPECIFICATIONS

<b>IGLO LED NIGHT LIGHT SERIES</b>	
MODEL# 4EJCT09SR05-N	
WATTAGE	9W+3W
5CCT	2700K   3000K   3500K   4000K   5000K
LUMENS	580Lm   602Lm   625Lm   628Lm   604Lm
VOLTAGE	120V
POWER FREQUENCY	60Hz
POWER FACTOR	>0.9
MAIN LIGHT CCT	2700K   3000K   3500K   4000K   5000K
NIGHT LIGHT CCT	2000K
CRI	90
BEAM ANGLE	120°
MATERIAL	PC+AL
LIFESPAN	≥50,000hours
OPERATING TEMP	(-4°F~ 122°F) -20~40°C
DIMMABLE	Triac Dimming
RATING	Suitable for Wet Locations
WARRANTY	5 year limited

## 1. SELECTING MAIN LIGHT MODE OR NIGHT LIGHT MODE

- The product has two modes: main light mode and night light mode.
- Main light mode provides full brightness and allows selection from five color temperatures: 2700K, 3000K, 3500K, 4000K and 5000K.
- Night light mode provides reduced light output at 2000K color temperature for very soft illumination at night.

## 2. CONVENIENT CONTROL USING LIGHT SWITCH

- Switch the downlight off and back on again within 3 seconds to activate night light mode.

NOTE: The main downlight will not provide light output when the night light trim is illuminated.