

# iGLO LED V1 High Bay Series – 120W

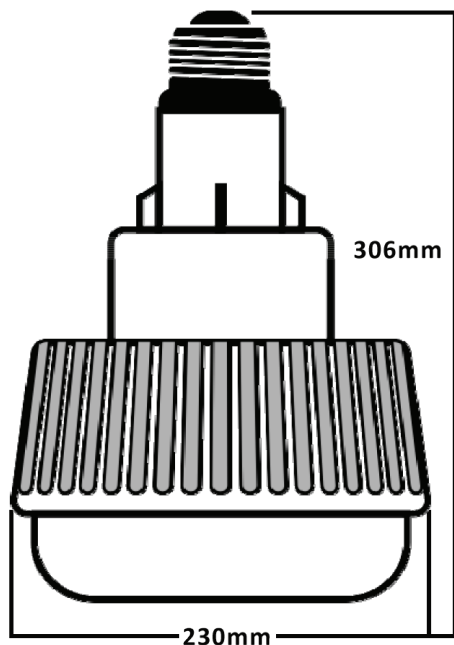
ENVIRONMENTALLY FRIENDLY, ENERGY EFFICIENT

**iGLOLED**  
IGLOLED.NET



## Features

- cULus, FCC, Certificates.
- Input Voltage 120 -277VAC.
- Easy to install and operate.
- Environmental friendly and Energy saving.
- Long Lifespan 50,000 Hrs.
- Suitable for Damp Location.
- 5 years warranty.



## PRODUCT SPECIFICATIONS

<b>iGLO LED V1 High Bay Series:</b>	<b>GL120WV1HBRD5000KUDX</b>
Wattage:	120W
Lumens:	14045 lm
CCT:	5000K
Input Voltage:	120-277VAC, 50/60Hz
Power Factor:	≥0.90
Efficacy:	122.2 lm/W
CRI:	>80
THD:	≤12.19%
Dimmable:	No
Dimensions:	(230*306) mm
Projected Hours (Life Span):	50,000 Hours
Base:	E39
Beam Angle:	120°
Operating Temperature:	-20°C to 50°C
Housing:	PC + Aluminium
Waterproof Rating:	WET (IP65)
Certificates:	cULus, FCC
Warranty:	5 Years

<b>Box Size</b>	<b>Qty/Carton</b>	<b>Net Weight</b>	<b>Gross Weight</b>
N/A	N/A	4.46 Kg/ Carton	7.84 kg/ Carton

## INSTALLATION INSTRUCTIONS

### The High Bay LED Retrofit Lamp installation instructions

**WARNING:** Failure to follow these instructions and warnings may result in death, injury, or significant property damage - For your protection, read and follow these warnings and instructions carefully before installing or maintaining this LED Retrofit Lamp installation. These instructions do not attempt to cover all installation and maintenance situations.

If you do not understand these instructions or additional information is required, **CONSULT A QUALIFIED ELECTRICIAN TO ENSURE CORRECT BRANCH CIRCUIT CONDUCTOR.**

This product must be installed in accordance with the applicable installation code by a person familiar with the construction and operation of the product and the hazards involved.

**WARNING - Risk of fire or electric shock.** Install this LED Retrofit Lamp only in the luminaires that have the construction features and dimensions shown in the photographs and drawings here. Do not make or alter any open holes in an enclosure of wiring or electrical components during this LED Retrofit Lamp installation.

**WARNING-** Not for use with luminaire ballast. Not for use with dimmer. This lamp is not intended for use with emergency exits. Added weight of the device may cause instability of a free-standing portable luminaire. Use only with a portable table luminaire that is provided with a shade. Use in a portable table luminaires in which the distance from the bottom of the base to the top of the lamp holder does not exceed three (3) times the minimum base diameter.

#### Electrical parameters:

Model	Input Voltage (VAC)	Lumen Output (lm)	Input Wattage (W)	PF
T170 60W E39	120-277	7,200	60	>0.90
T190 75W E39	120-277	9,000	75	>0.90
T230 120W E39	120-277	13,000	120	>0.90

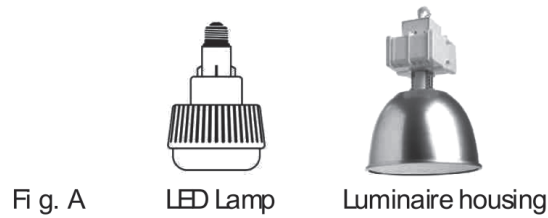
#### Installation process steps:

Step 1- Turn off the power before installation.

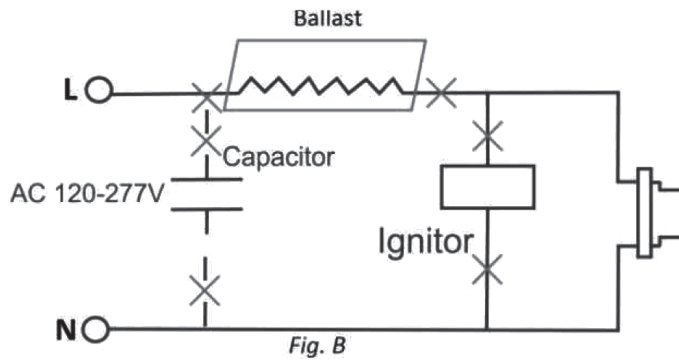
Step 2- Open the ballast box on the luminaire housing (As shown in fig. A).

# iGLO LED V1 High Bay Series – 120W

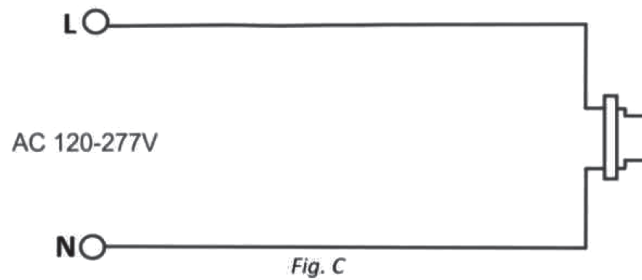
ENVIRONMENTALLY FRIENDLY, ENERGY EFFICIENT



Step 3- Bypass the ballast, ignitor and capacitor (as shown in fig. B)

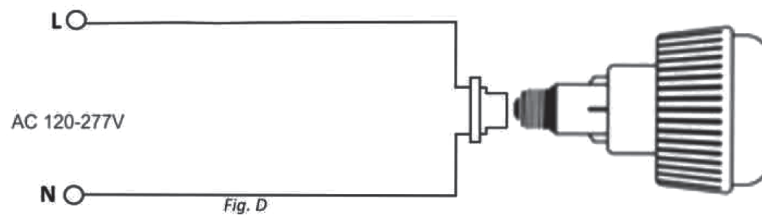


Step 4- Re-wire the circuit in the manner as shown in figure C below. Attach the re-lamping CAUTION label inside the luminaire housing.



Step 5- Remove existing Metal Halide lamp carefully after it cools down.

Step 6- Fit in LED Retrofit Lamp into the E39 Mogul base holder of the luminaire (as shown in fig. D)



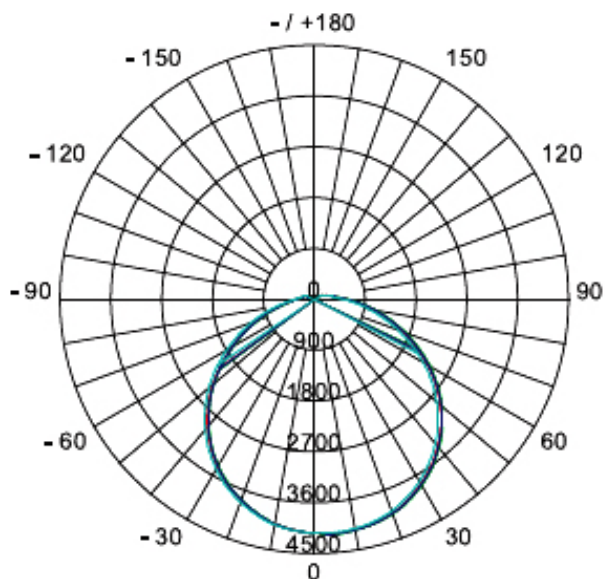
Note: Do not over tight the threads of the LED lamp on the E39 Mogul base holder or you will damage the LED lamp, the holder or both. This lamp is rated for input voltage range 120-277V. Installer must determine what line voltage is available at the luminaire before installation.

# iGLO LED V1 High Bay Series – 120W

ENVIRONMENTALLY FRIENDLY, ENERGY EFFICIENT



## PHOTOMETRIC DATA



Ave. Beam Angle(50%):117.7 °

height	beam angle 117.7°	diameter
1m	15590 (lx)	3.2m
2m	2666 (lx)	6.4m
3m	1184 (lx)	9.7m
4m	667 (lx)	12.9m
5m	426 (lx)	16.1m
6m	296 (lx)	19.3m
7m	218 (lx)	22.6m
8m	166 (lx)	25.8m
9m	133 (lx)	28.9m
10m	100 (lx)	32.2m